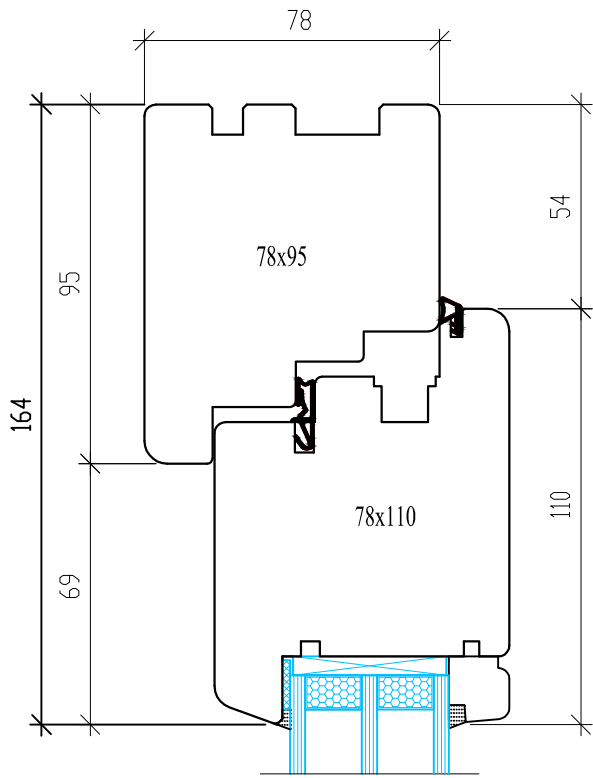
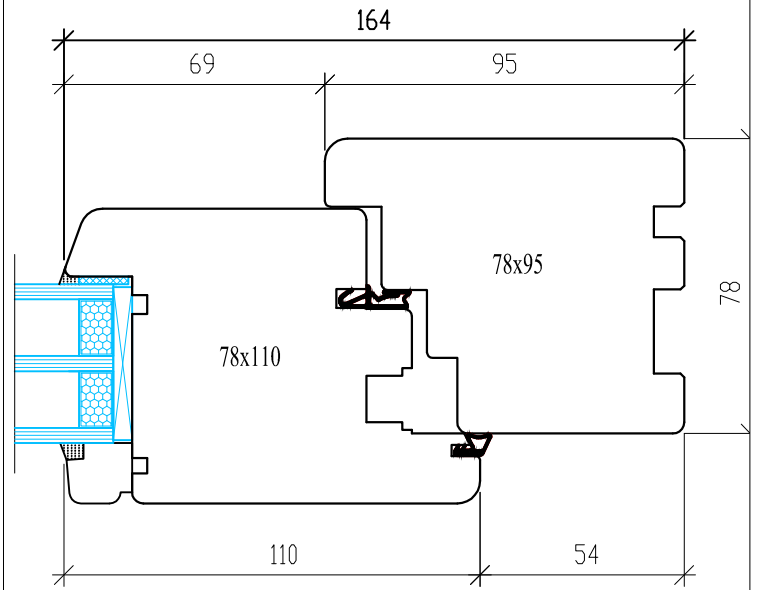


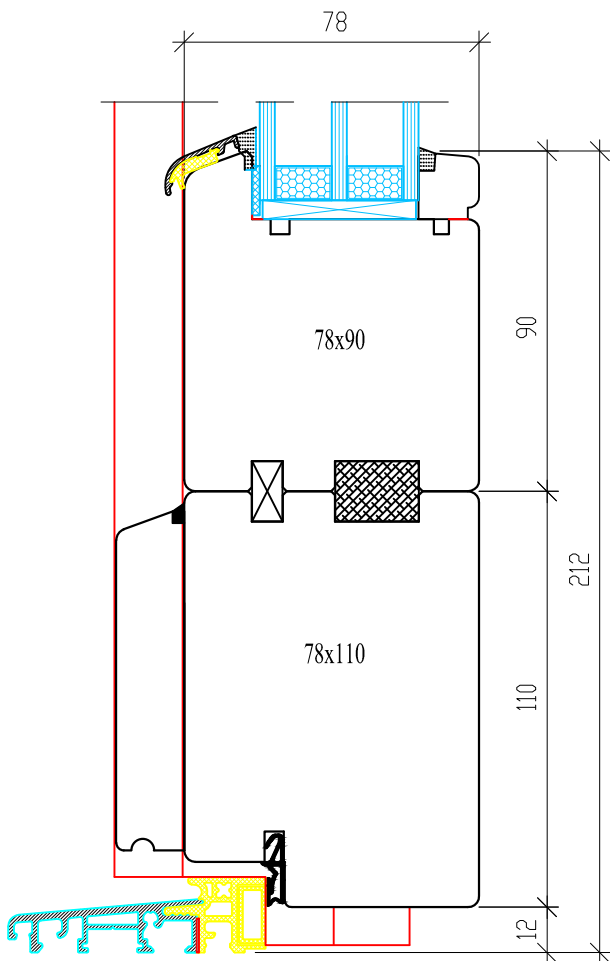
HEAD



JAMB



SILL



SCANDINAVIAN TIMBER LTD.

UNIT J STATION RD. INDUSTRIAL ESTATE  
SOUTH WOODCHESTER  
GLOUCESTERSHIRE GL5 5EQ  
TEL: 0845 2996 292



E-MAIL: [enquiries@scandinaviantimber.com](mailto:enquiries@scandinaviantimber.com)

Component: TIMBER INWARD OPENING DOOR

REV. NO.

TYPE:

DR. NO.

Head/Sill/Jamb

SCALE:  
1:2 @ A4

SCAND. TIMBER REF:  
ST/VL