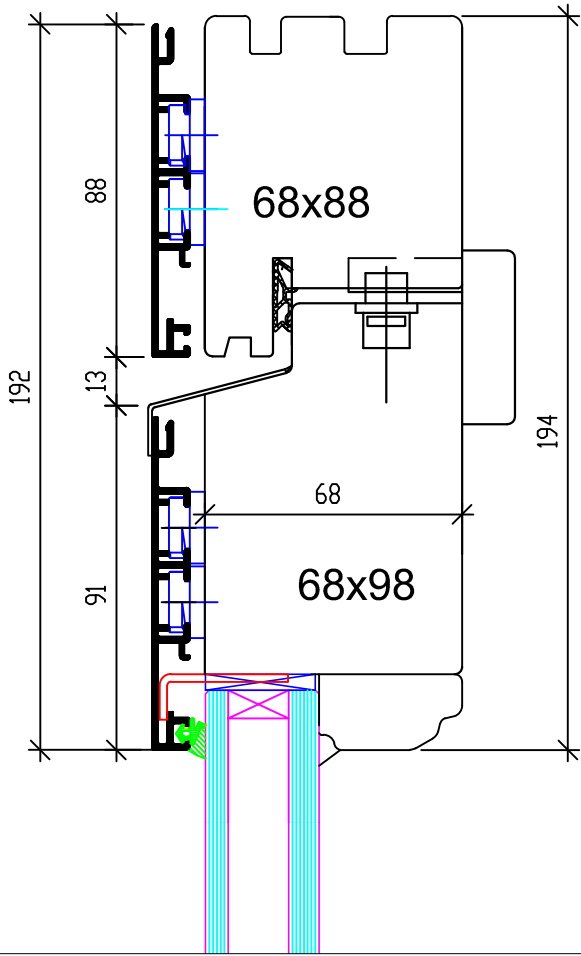
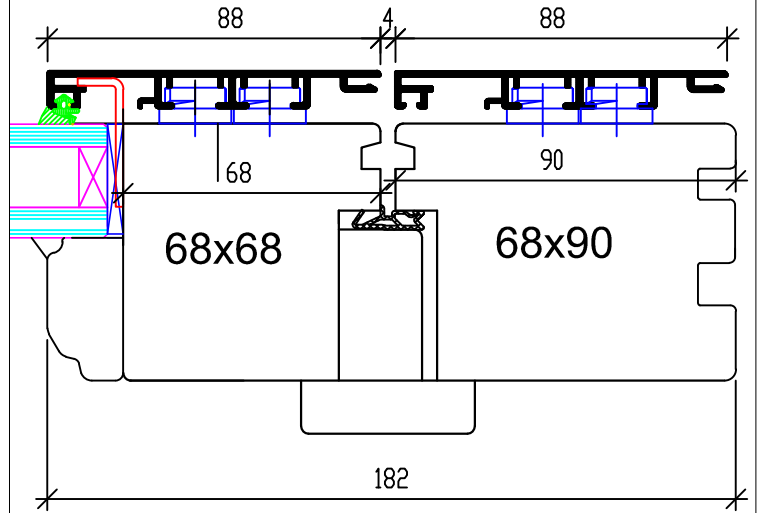


HEAD

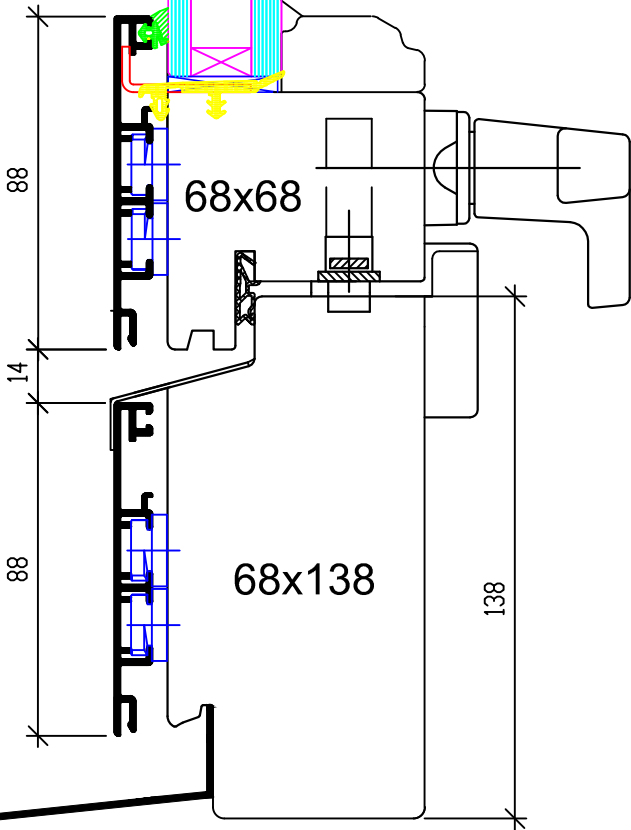
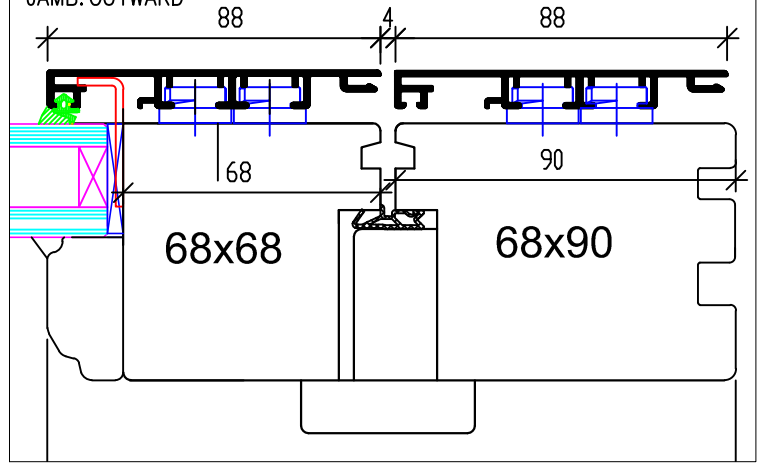
V1-V1



JAMB: INWARD



JAMB: OUTWARD



SILL

SCANDINAVIAN TIMBER LTD.

UNIT J STATION RD. INDUSTRIAL ESTATE
SOUTH WOODCHESTER
GLOUCESTERSHIRE GL5 5EQ
TEL: 0845 2996 292



E-MAIL: enquiries@scandinaviantimber.com

Component: COMPOSITE PIVOT WINDOW

REV. NO. TYPE:
DR. NO. Head/Sill/Jamb

SCALE: 1:2 @ A4

SCAND. TIMBER REF: ST/VL