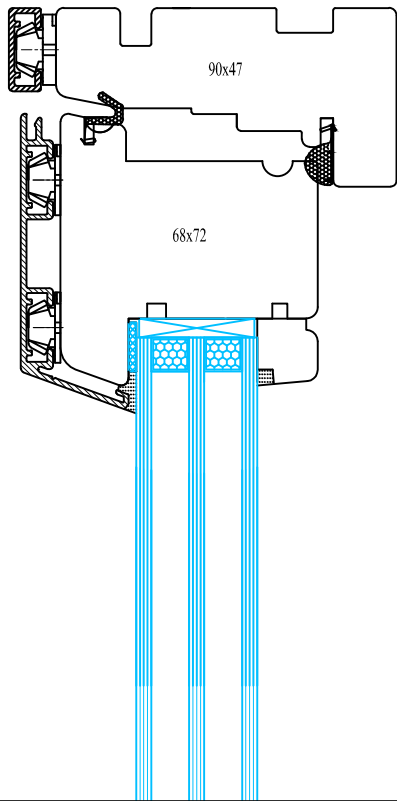
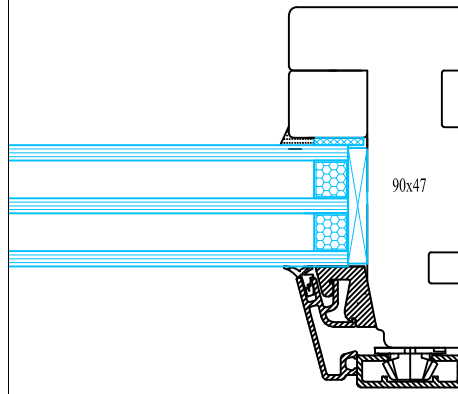


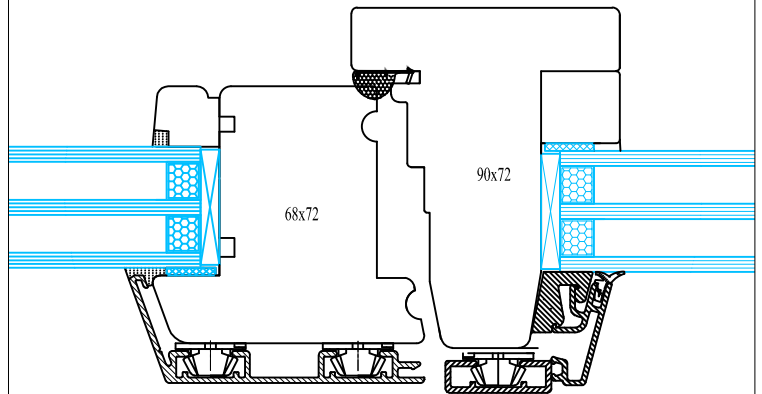
HEAD



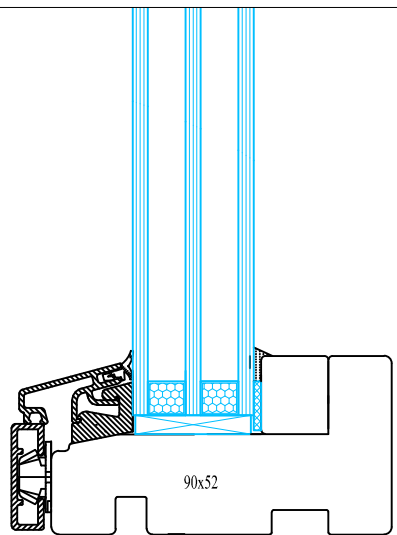
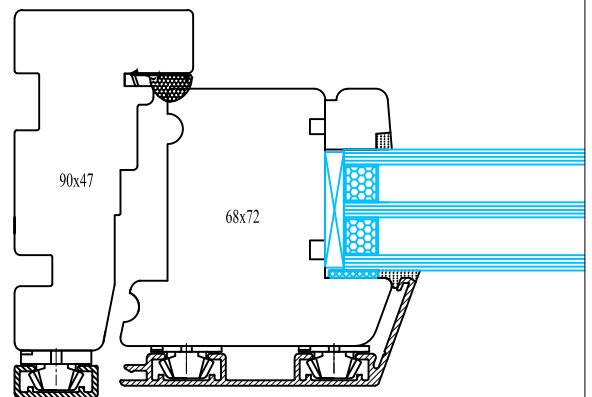
JAMB: FIXED



MEETING STILES



JAMB: OPENABLE



SILL

<b>SCANDINAVIAN TIMBER LTD.</b> UNIT J STATION RD. INDUSTRIAL ESTATE SOUTH WOODCHESTER GLOUCESTERSHIRE GL5 5EQ TEL: 0845 2996 292 E-MAIL: <a href="mailto:enquiries@scandinaviantimber.com">enquiries@scandinaviantimber.com</a>		Component: <b>TIMBER TILT/TURN WINDOW</b>	
REV. NO.	TYPE:	<b>Head/Sill/Jamb/Meeting Stiles</b>	
DR. NO.			
SCALE:	SCAND. TIMBER REF:		
1:2 @ A4	ST/VL		