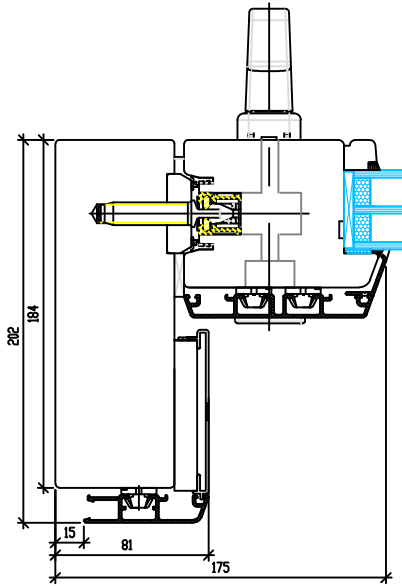
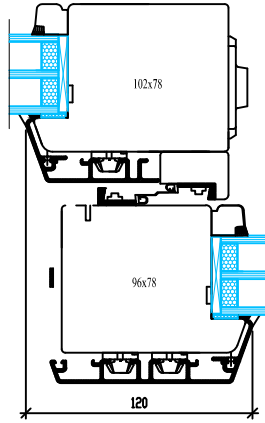


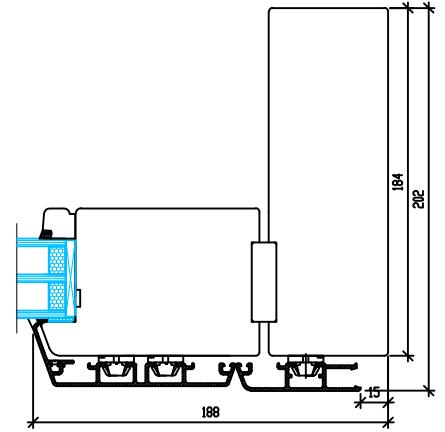
JAMB: SLIDING



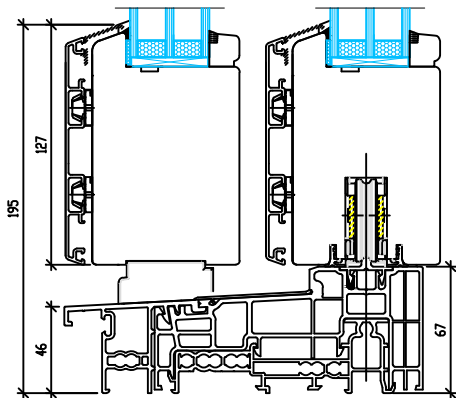
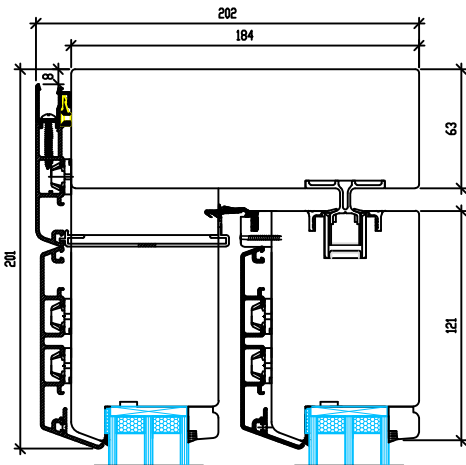
MEETING STILES



JAMB: FIXED



HEAD



SILL

SCANDINAVIAN TIMBER LTD.

UNIT J STATION RD. INDUSTRIAL ESTATE
SOUTH WOODCHESTER
GLOUCESTERSHIRE GL5 5EQ
0845 2996 292



E-MAIL: enquiries@scandinaviantimber.com

Component: COMPOSITE LIFT/SLIDE DOOR

REV. NO.	TYPE:
DR. NO.	Head/Sill/Jamb/Meeting Stiles

SCALE: 1:4 @ A4	SCAND. TIMBER REF: ST/VL
--------------------	-----------------------------